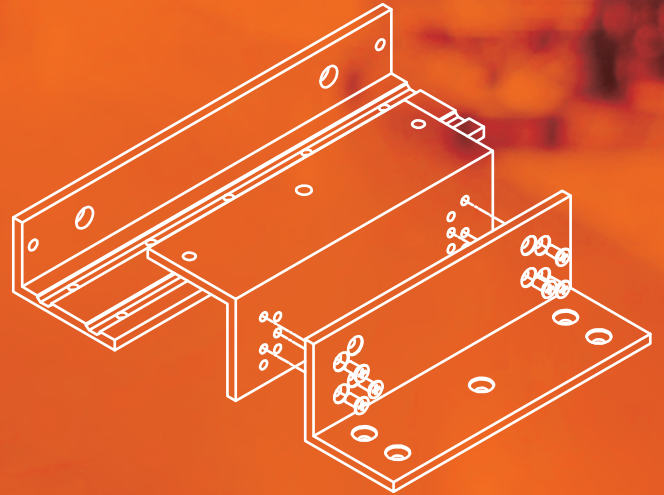


ZL Bracket

for EM Lock (600lbs)



KEY FEATURES

- Suitable for EM Lock
- Suitable for Panic Door, Fireproof Door
- Opening Mode: In/Out-swing Door
- Door Mode: 90° Door

SPECIFICATION	S-SZLB
Material Selection	High Strength Aluminum, Sandblast Finished
Suitable for	Fully Frameless Glass Doors
Opening Mode	90 Degree Door
Use with	Magnetic Lock Series of 180Kgs
Finished for Shell	Anodized aluminum
Net Weight	0.378kg

