



2, 4 & 5MP H.264 Dome IR Camera

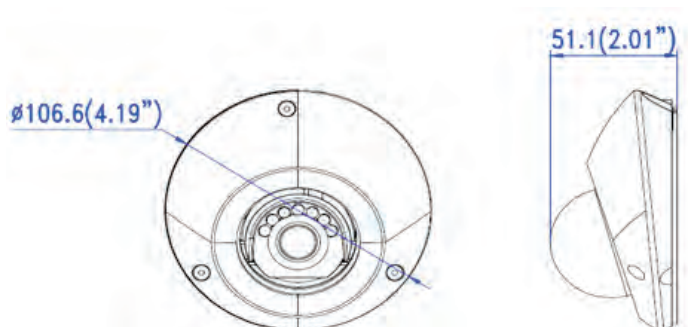
S-MDIR-2M / S-MDIR-4M / S-MDIR-5M



Key Features

- 1/2.9" Progressive scan CMOS
- WDR, Day/Night(ICR), 3DNR, AWB, AGC, BLC
- On-board storage, up to 128GB
- 2.8mm lens
- 6pcs IR LED
- Support Tripple stream
- Support Region of Interest(ROI)
- Support Defog
- Support NAS
- Support UPnP-TM
- Smart Functions

Dimension (mm)



Supported Browser



IP Video Surveillance Solution

Specification	S-MDIR-2M	S-MDIR-4M	S-MDIR-5M	
Camera	Image Sensor			
	1/2.9" progressive scan CMOS			
	Min. Illumination			
	0.1Lux/F2.6 (Color), 0Lux/F2.6(IR on)			
	Electronic Shutter Speed			
	Auto/Manual, 1/3~1/10000s			
Compression Standard	Day/Night			
	Auto(ICR)			
	Lens			
	2.8mm @ F2.6, Angle of view: 83°			
	Max. IR LEDs Length			
	20M			
Image	Video Compression			
	H.264			
	H.264 Codec profile			
	Main profile			
	Video Bit Rate			
32 Kbps~9 Mbps				
Network	Audio Compression			
	G.711A			
	Max.resolution	1920*1080	2592*1520	2560*1920
	Frame Rate Main Stream	25fps (1920*1080)	25fps (2592*1520)	25fps (2560*1920)
	Frame Rate Sub Stream	D1/CIF 25fps		
	BLC	On/Off		
Interface	ROI			
	Support			
	Defog			
	Support			
	Network Storage			
	NAS			
General	Alarm Trigger			
	Motion detection, Intrusion detection, Line crossing, Network Disconnect, IP address conflict, Storage exception			
	Protocols			
	TCP/IP, ICMP, HTTP, FTP, DHCP, DNS, DDNS, RTP, RTSP, RTCP, NTP, UPnP, SMTP, UPnP-TM, P2P			
	System compatibility			
Onvif 2.4,Profile S, CGI,Mobile Surveillance				
General	Smart Phone			
	iPhone, Android			
	Communication interface			
	1 RJ45 10M / 100M ethernet port			
	On-board storage			
Support Micro SD/SDHC/SDXC slot, upto 128GB				
General	Audio I/O			
	1/1			
	Alarm I/O			
	1/1			
	Reset button			
Support				
General	WDR			
	Supported			
	POE			
	Built in POE			
	Power Supply / Consumption			
DC12V ±10% / Max,5W				
Weather Proof & Protection Level				
IP66 & IK10				
Operating Conditions				
-30 °C ~ 60 °C, Humidity 95% or less (non-condensing)				



| www.secureye.com

