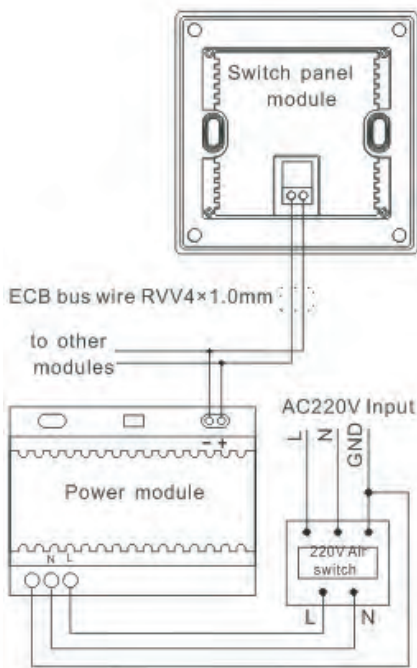


## Lighting Control Two Button Touch Switch



### Features:

- Lighting control panel is a touch panel switch with two buttons.
- By touching the two button, user can turn on or turn off lighting for two routes of lightings.
- The panel can work independently or be controlled through remote control, smart phone or tablet.
- The wiring on the back of the panel is with just a single L line, without Neutral line, which will highly reduce the cost for the wires in project.



Model	S-WR20L
Power input	AC180V-220V/50/60Hz
RF receiving flexibility	-100dBm
Rated power	200W/Route
Effective control distance	10m
WIFI-RF4 effective control distance	20mW
Service life	More than 500,000 times of touch operation
Dimensions	86*86*12mm

