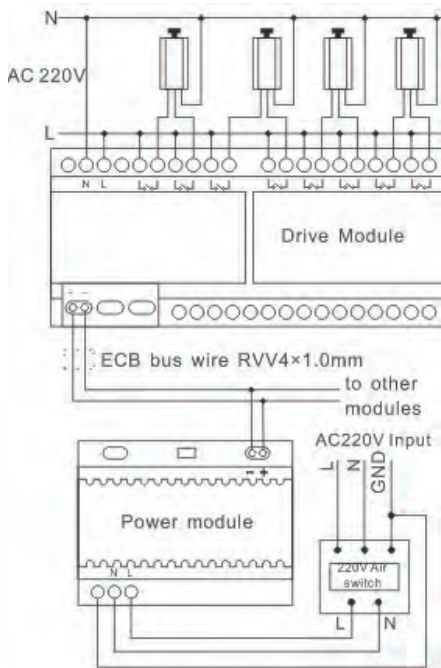


Output Module in ECB

Features:

- Is the output module in ECB smart home system.
- Orders can be sent from panel or smart mobile/tablet to curtain drive module.
- Drive 4-way 220VAC/5A curtain motor.
- Adopt 35mm DIN guide way mounting.



Model	S-ECB-CC4A
Working voltage	220VAC
Electric current	Standby<20mA / working<100mA
Rated output	4x220VAC/5A
Operating temperature	-5°C ~ 50°C
Dimension	144x93x60mm

